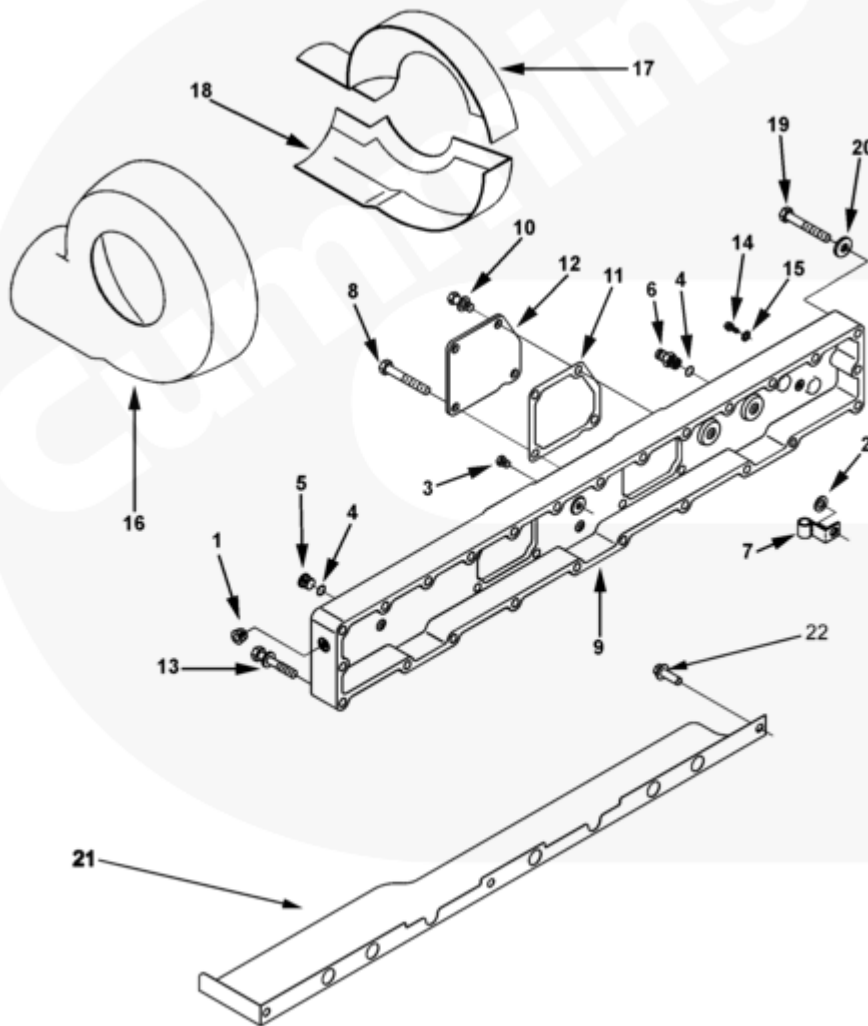




Parts Catalog - Option Detail

Electronic Parts Catalog - Option Detail				
Option	Group	Graphic	Film Card	Date
TB2259-06	10.01	tb210gt	II	27-JAN-03
Engines	ISM CM570, ISM CM570/870, ISM CM875, ISM CM876, ISM CM876 E, ISM11 CM876 M103, ISM11 CM876 SN, M11 CELECT, M11 CELECT PLUS, M11 MECHANICAL, QSM11 CM570, QSM11 CM876			

©Cummins Inc



tb210gt

[SMALL](#) | [MEDIUM](#) | [LARGE](#)

Cart	Ref No	Part Number	Part Description	Required	Remarks
View My Cart					
		TB2259-06	Turbocharger Arrangement		

					Turbocharger Arrangement
					Turbo Loc: Rear Mount
					Int Man Compuchek: Rear
					Mount
					Turbo C/L Vert From Crank
					C/L: 510.14mm (20.08")
					Turbo Horiz C/L (ref RFOB):
					141.00mm (5.55")
					Engine Aspiration: Sea Water
					Aftercooled
					Front Lifting Brkt Loc: Front
					of Air Int Manf
					Air Cleaner Mgt Provision:
					Yes
					Int Man Temp Sensor Loc:
					Center
					Turbo Oil Supply Line Type:
					O Ring Face Seal
					Turbo Mtg flange Bolt Circle
					Dia: 132.75mm (5.23")
					Heat Shield Included: Yes
					Insulated Turbine Housing
<input type="checkbox"/>	1	3008468	Pipe Plug	1	1/2 NPT.
<input type="checkbox"/>	2	3009330	Plain Washer	2	M10.
<input type="checkbox"/>	3	3031511	Pipe Plug	1	1/8 NPT
<input type="checkbox"/>		3037536	Threaded Plug	5	9/16 - 18 UNF
<input type="checkbox"/>	4	3037537	O-Ring Seal	1	
	5	3040813	Threaded Plug	1	9/16 - 18 UNF

<input type="checkbox"/>		3042619	Coupling Nipple	1	
<input type="checkbox"/>	4	3037537	O-Ring Seal	1	
	6	3042620	Coupling Nipple	1	
<input type="checkbox"/>	7	3073750	Clip	1	
<input type="checkbox"/>	8	3081346	Hexagon Head Cap Screw	2	M10 x 1.50 x 70.
<input type="checkbox"/>	9	3406757	Air Intake Manifold	1	
<input type="checkbox"/>	10	3818060	Captive Washer Cap Screw	2	M10 x 1.50 x 25
<input type="checkbox"/>	11	3818846	Connection Gasket	2	
<input type="checkbox"/>	12	3028540	Cover Plate	1	
<input type="checkbox"/>	13	3821847	Captive Washer Cap Screw	16	M10 x 1.50 x 60
<input type="checkbox"/>	14	3900627	Hexagon Flange Head Cap Screw	1	M6 X 1.00 X 14.
<input type="checkbox"/>	15	112408	Plain Washer	1	1/4 in.
<input type="checkbox"/>	16	4003592	Heat Shield	1	
<input type="checkbox"/>	17	4003593	Heat Shield	1	
<input type="checkbox"/>	18	4003594	Heat Shield	1	
<input type="checkbox"/>	19	3088162	Hexagon Head Cap Screw	2	M10 x 1.50 x 60
<input type="checkbox"/>	20	3036460	Spring Washer	2	
<input type="checkbox"/>	21	3965080	Heat Shield	1	
<input type="checkbox"/>	22	3393717	Hexagon Flange Head Cap Screw	3	M10 x 1.50 x 30